

BRUSTOR

B-1085 ZIP

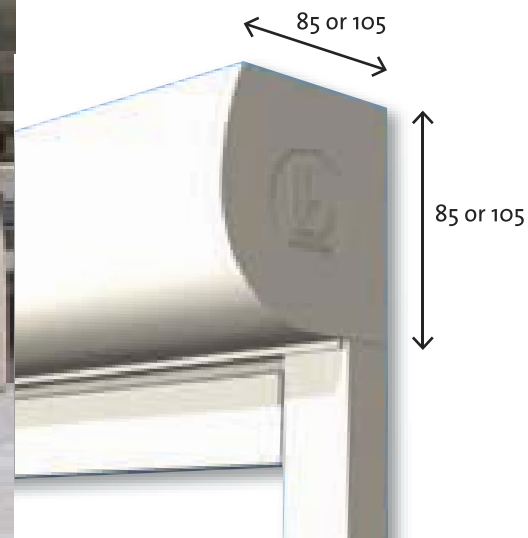
B-1100 ZIP

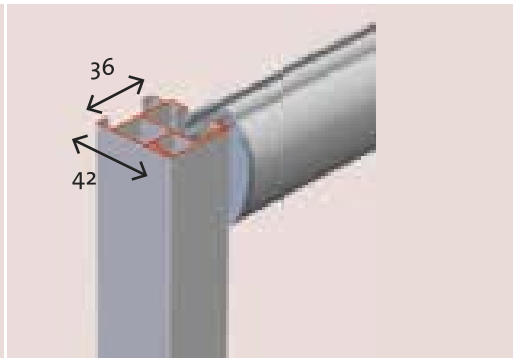


## The all in one storm proof screen

The B-1085 and the B-1100 ZIP are new windproof screens and at the same time acting as an insect repellent. The unique zip system keeps the fabric

locked in the side guides. The screen can be equipped with a range of dimout or blackout fabrics. The ZIP screen passes the highest wind speed classification (wind class 3) under the European standard EN 13561. The maximum dimensions for the ZIP screen are 4,00m wide and 3,00m high. The ZIP screen is also available in a coupled version with a maximum width of 7m20.





The ZIP screen has a compact side guide that can be face or side fixed and hides the screws.



The ZIP screen has a unique side guide that snaps closed.

The coupled ZIP screen can be made with a width up to 7m20.

DIMENSIONS	B-1085	B-1100
width	width min. 0,80 m max. 3,60 m - 7,20 m (coupled)	width min. 0,80 m max. 4,00 m - 7,20 m (coupled)
height	max. 1,80 m	max. 3,00 m
operation	gear - motor (optional)	
FABRIC	B-1085	B-1100
	Screen - Soltis 86 - Soltis 92	
WIND LOAD	B-1085	B-1100
	Wind class 3 (CE classification EN 13561)	
COLOURS	B-1085	B-1100
	 White RAL 9010, brown RAL 8019, grey anthracite RAL 7016, anodised 20 micron, cream RAL 9001. Other colours optional.	



The ZIP screen is windproof thanks to its ingenious zip on the edge of the fabric which locates within an extruded pvc channel within the side guide locking it in place.